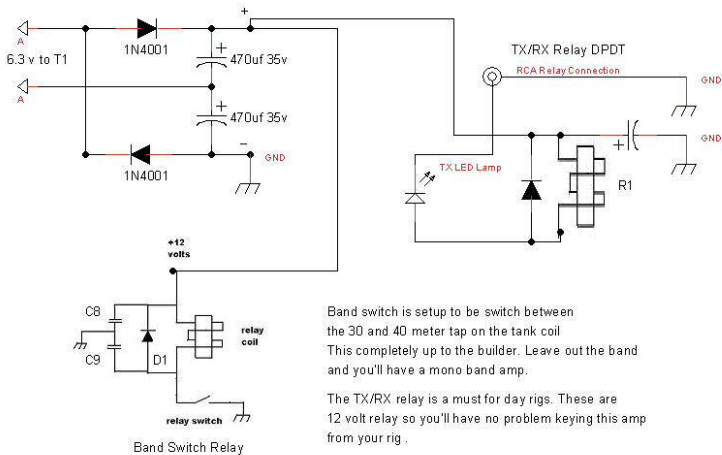




Voltage Doubler to supply power to TX/RX  
 And band switch Relay



Band switch is setup to be switch between the 30 and 40 meter tap on the tank coil  
 This completely up to the builder. Leave out the band and you'll have a mono band amp.

The TX/RX relay is a must for day rigs. These are 12 volt relay so you'll have no problem keying this amp from your rig.

C8 - C9 .01uf600v  
 D1 1N4007  
 Relay DPDT 12VDC

Title 30/40 Meter 200 Watt Amp		
Author Dennis N2RIT		
File :\x86\TinyCAD\Files\30Meter_Amplifier_sch.dsn		Document
Revision 1.0	Date November 12, 2010	Sheets 2